



# Documents, Boat Markings and Compliance Plates The OTTER OT300

## Contents

1. Specifications
2. SAMSA Buoyancy Compliance
3. ISO 6185 Boat Markings and Compliance 3

## 1. Specifications

### THE OTTER 300





The OTTER OT 300

2.SAMSA buoyancy Certificate

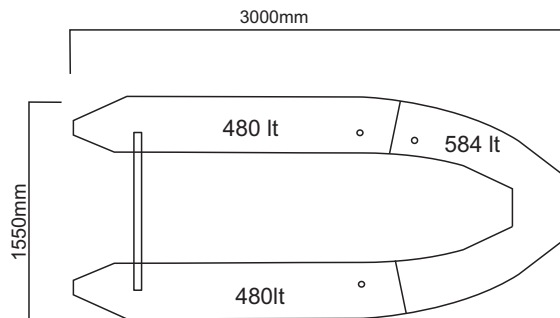
SAMSA BUOYANCY COMPLIANCE CERTIFICATE



|                              |                                  |
|------------------------------|----------------------------------|
| MODEL-                       | OTTER OT 300                     |
| Capacity                     | 4 Persons                        |
| Max Engine                   | 10 hp                            |
| Length                       | 3.0 metres                       |
| Width                        | 1.55 metres                      |
| Tube Diameter                | 440mm                            |
| Total No of Air Chambers     | 3 (+ Air floor)                  |
| Total Volume of Chambers     | (545 + 362 +362 + 15 ) = 1284 lt |
| Weight of Boat with engine   | 48 kg + 48 kg = 96kg             |
| Total weight of Crew         | 300 kg                           |
| Total Weight Boat and Crew   | 396 kg                           |
| Buoyancy of smallest chamber | 362 lt                           |
| Required Buoyancy 60%        | 237 lt                           |
| Percentage Buoyancy          | 153 %                            |

Description

A 3.0 metre Inflatable boat with 480 mm tube diameter  
 Three air chambers in the main collar and a keel  
 The main collar is divided into 3 airtight independent chambers the volume of which are 545 lt in the bow section and 362 lt in each of the Port and Starboard sections .



Buoyancy Calculations

Calculations are based on assumption that only one of the smallest of the three main collar chambers are inflated ie 362 lt  
 With a 15 hp motor of 48 kg we calculate the load as 48 + 48 + 75 +75 +75 +75 = 396 kg.  
 The formula for required buoyancy is 60 % of this weight expressed as litres this 396 X 60% is which is 237 lt .  
 Thus the buoyancy ratio is 362 /237= 152 %

Manufacturers Statement

I have applied my mind to the details provided by the owner and inspected the vessel concerned and find no inconsistencies which would cause me to question that the vessel has not been fitted as declared .The declared buoyancy can reasonably be expected to comply with the regulations

Signed

William Edwards The Owner ARK INFLATABLES

**ARK INFLATABLES** (ck95/31795/23)



# Documents, Boat Markings and Compliance Plates

## The OTTER OT 300

### 3. Boat Markings as per ISO 6185

|                                                |                   |
|------------------------------------------------|-------------------|
| = 684 kg             = 4             = 6       |                   |
| = 10 hp Max                                    | DESIGN CATEGORY D |
| = 0.35 bar<br>3.5 psi                          |                   |
| MANUFACTURER                                   | : ARK INFLATABLES |
| COUNTRY OF ORIGIN                              | : SOUTH AFRICA    |
| SERIAL NUMBER                                  | :                 |
| MODEL NUMBER                                   | : OTTER OT 300    |
| HIN CODE :                                     |                   |
| ZA-ARK.....                                    |                   |
| <b>DETERMINED BY ISO 6185-1 CAT D APPLIES.</b> |                   |

# CAUTION

- GET PADDLESPTS INSTRUCTIONS SPECIFIC TO THIS TYPE OF CRAFT AND INTENDED USAGE
- OBTAIN CERTIFIED FIRST AID TRAINING AND CARRY FIRST AID AND RESCUE/SAFETY EQUIPMENT
- ALWAYS WEAR AN APPROVED PERSONAL FLOTATION DEVICE
- ALWAYS WEAR A HELMET WHERE APPROPRIATE
- DRESS APPROPRIATELY FOR WEATHER CONDITIONS. COLD WATER AND COLD WEATHER CAN RESULT IN HYPOTHERMIA
- CHECK YOUR EQUIPMENT PRIOR TO EACH USE FOR SIGNS OF WEAR OR FAILURE
- NEVER PADDLE ALONE
- DO NOT PADDLE IN FLOOD CONDITIONS
- BE AWARE OF APPROPRIATE RIVER WATER LEVEL, TIDAL CHANGES, DANGEROUS CURRENTS, WEATHER CHANGES, AND STRONG OFFSHORE WINDS
- SCOUT UNFAMILIAR WATER AND PORTAGE IF IN DOUBT.
- DO NOT EXCEED YOUR PADDLING ABILITY
- CONSULT A PHYSICIAN PRIOR TO PADDLESPT TRAINING
- DO NOT USE THIS PRODUCT UNDER THE INFLUENCE OF ALCOHOL OR MIND ALTERING DRUGS
- FOLLOW THE MANUFACTURERS RECOMMENDATIONS FOR THE USE OF THIS PRODUCT
- IF ADDITIONAL OUTFITTING IS REQUIRED SEEK ADVICE FROM THE MANUFACTURER

THE USER OF THIS PRODUCT ACKNOWLEDGES BOTH AN UNDERSTANDING AND AN ASSUMPTION OF THE RISKS INVOLVED IN PADDLESPTS

[www.arkinflatables.com](http://www.arkinflatables.com)

Ark Inflatables reserves the right to modify any specification in the course of research and design.  
 All specifications have a 3% tolerance  
 Determined and compliant with ISO 6185 -1 CAT D